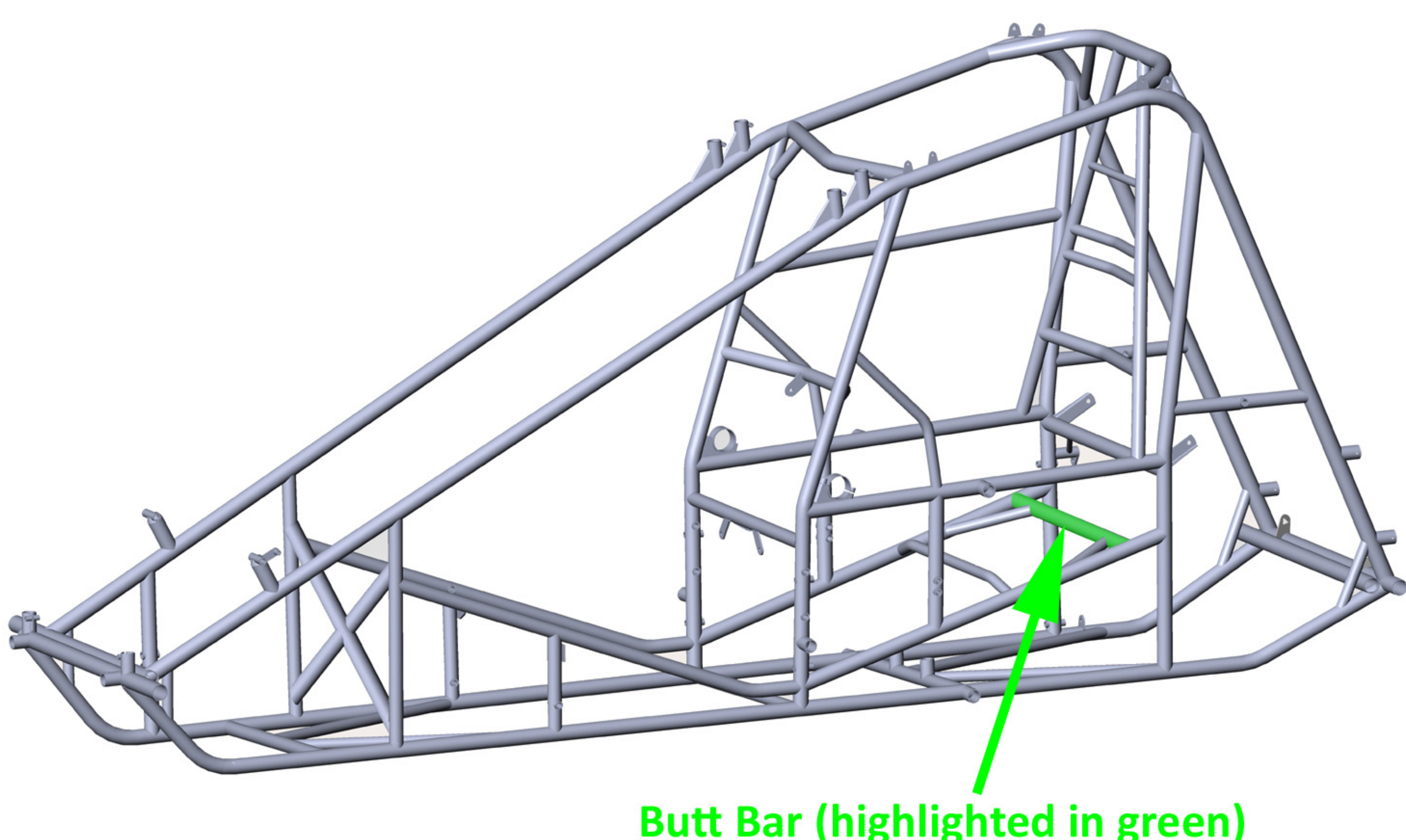
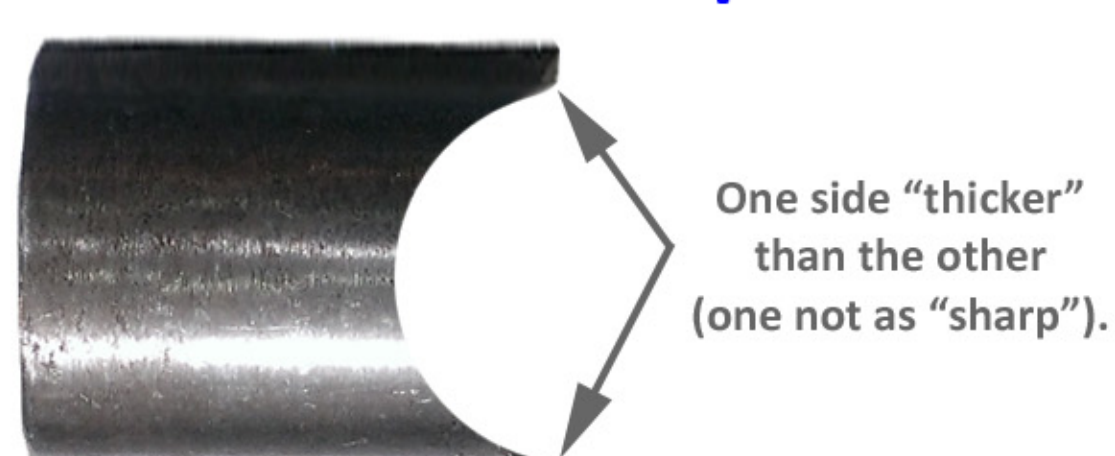


Mount spuds to the butt bar



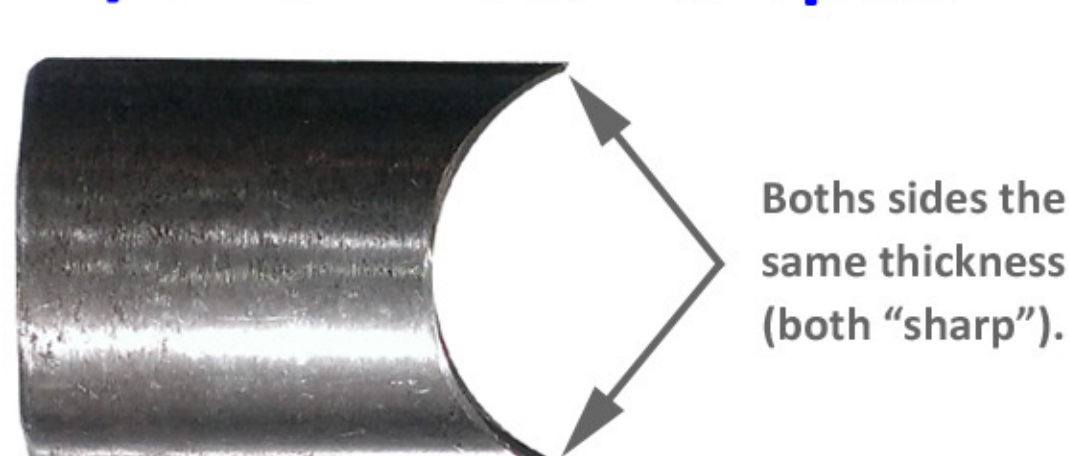
Different OD Butt Bars require different spuds ...

1" OD Butt Bar spud



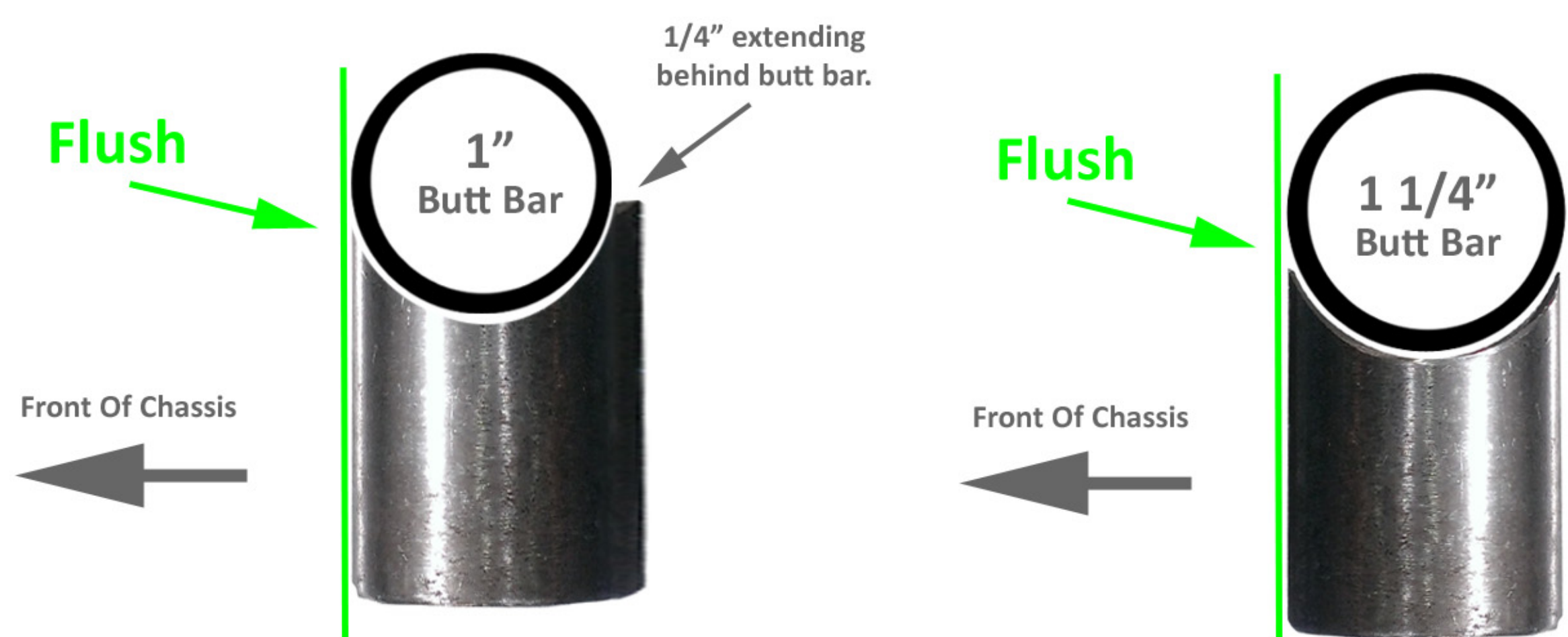
(Part #: TXRC-SPUD-4003)

1 1/4" OD Butt Bar spud

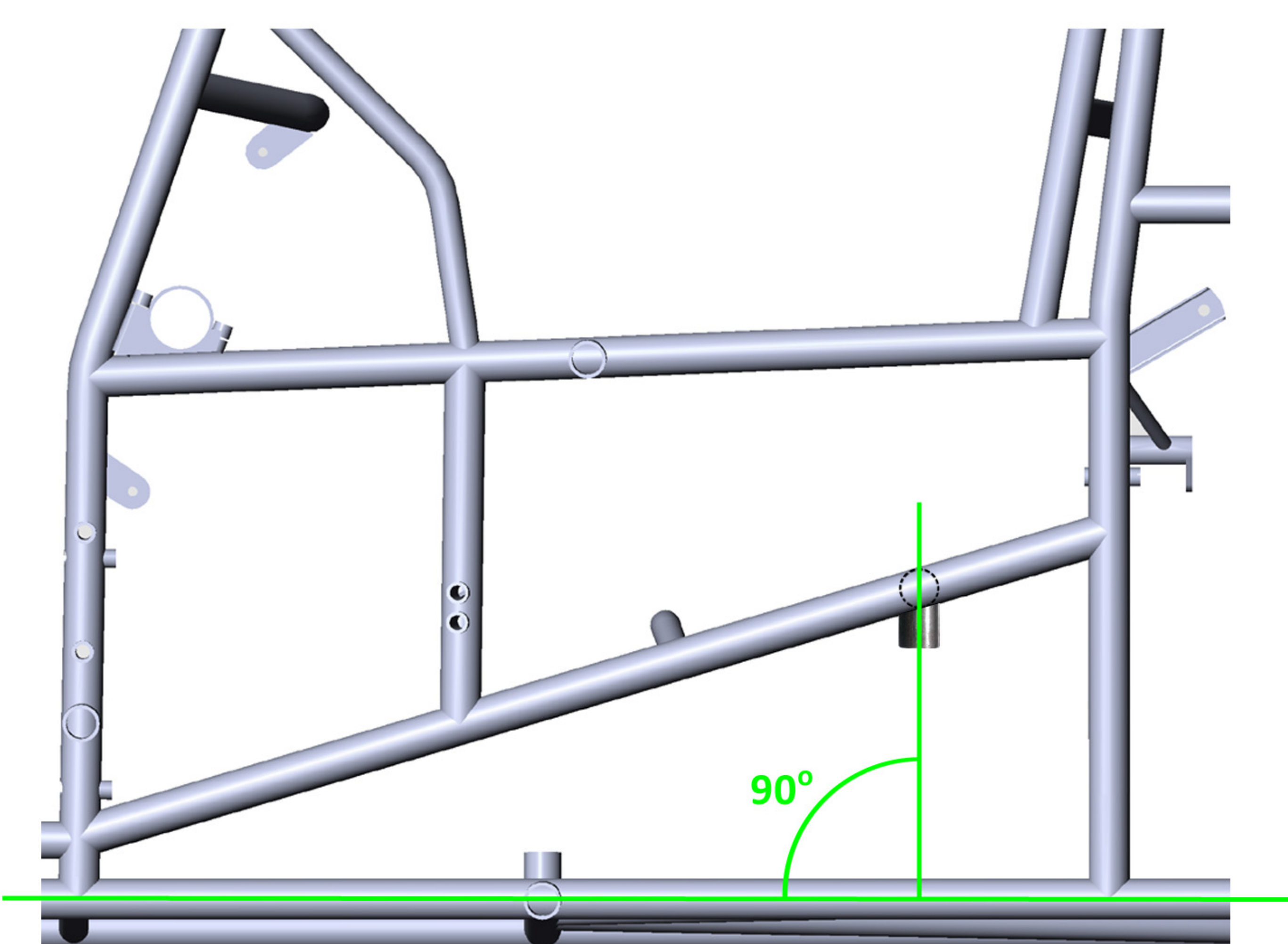


(Part #: TXRC-SPUD-4002)

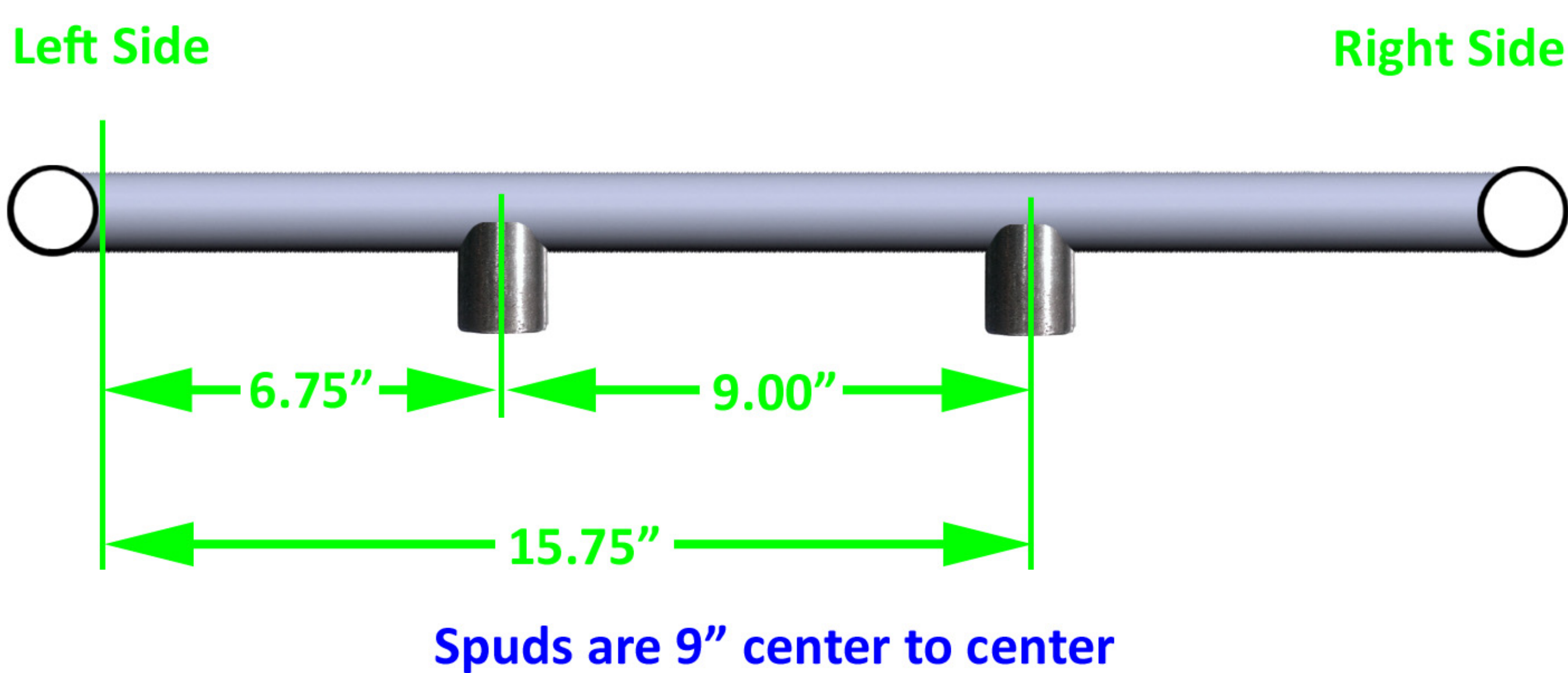
Mount spuds flush with leading/front edge of butt bar



Mount spuds 90° to bottom frame rails (facing down)



Mount spuds 6 3/4" and 15 3/4" from left side bar (right edge of left bar to center of spud)



Completed installation should look like

